

Stock Code: **62087LED-GLD**

Collection: Villa

PRODUCT INFORMATION

Base: 62087 Parent: 62087LED
Mounting Type: Wall UPC: 641594246506
Finish: Gold
Diffuser: N/A

PRODUCT MEASUREMENTS

| FIXTURE | BACKPLATE / CANOPY |
|-------------------|--------------------|
| Length: | Length |
| Width: 6.25" | Width: 4.5" |
| Diameter | Diameter: |
| Height: 7.5" | Height: 5.5" |
| Extension: 3-5.5" | |
| Overall Height: | |

TECHNICAL SPECIFICATIONS

SPECIFICATIONS

Frame Material: Steel
Diffuser Material: N/A
Lamping Type: SSL (Dedicated LED) Jbox: Standard
Lamping Base: SSL Lamp Wattage: 4 W
Lamp Quantity: 1 Total Wattage: 4 W
Voltage: 120v Lamps Included: Yes

QUALIFICATIONS

Location Rating Dry
Certification: UL (US/Canada) Listed
ADA Compliant: Yes Energy Star: No
JA8 Compliant: No Emergency Lighting: No
Marine Grade: No Warranty: 5 Year

PHOTOMETRICS

Dimmable: No Nominal Lumens 165 Lm
CRI: 90 Delivered Lumens: 130 Lm
CCT: 3000K
Recommended Dimmers:

Additional Notes:

Optional Color Temperature 100 Piece Minimum Order Quantity;
Custom Finish 100 Piece Minimum Order Quantity

Project Name: _____

Location: _____

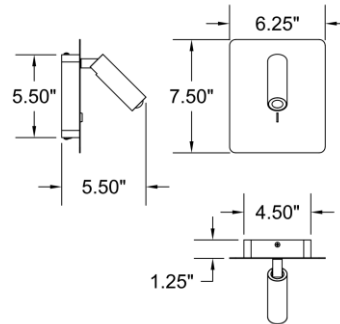
Type: _____

Quantity: _____

Notes: _____



LINE DRAWING



IES FILE

In addition to Access Lighting's purchase and warranty terms and conditions, by signing below or placing an order, you agree that you are authorized to bind the entity placing any order and acknowledge the following: All of sizes and measurements are approximate and all images are for illustrative purposes only. In the event of an inconsistency, the "Product Measurements" section controls. There also may be slight differences in the colors and designs compared to the displayed and printed images.

Signature: _____

Print Name _____ Date: _____

Toll Free 800-828-5483 www.AccessLighting.com

14410 Myford Road, Irvine, CA 92606

The information is subject to change without notice. 12/15/2022 62087LED-GLD.pdf

